

4 NOVEMBER 2016

PRODUCT INFORMATION

Product Description of Intended Use

- The SubBase pile/post supports are injection-molded using recycled plastic.
- They are designed to provide temporary support for timber piles/posts up to 150kg in their footing holes prior to concrete being added.
- SubBase pile/post supports are available in 2 models to suit three different pile/post sizes. They are:
- SubBase 125 for house piles.
- SubBase 100 for 100mm rough sawn fence posts and for 90mm² H5 timber posts.

Product Features of the SubBase 125 and SubBase 100

- The SubBase 125 and SubBase 100 are both light and easy to handle.
- They are stackable to take up minimal space.
- They support the pile/post building code requirement that timber/posts have 100mm of concrete under them.
- They assist the builder to prop in place the pile/post in the correct location in the footing hole prior to adding concrete.
- Provided concrete with the correct slump (17.5MPa, 100 slump) has been used, the builder can carry on with the construction of the subfloor or fence (in the case of fence posts) after 4 hours has elapsed.
- SubBase 125 and SubBase 100 are both version #1 and were made in 2016.

Limitations

- SubBase 125 and SubBase 100 are not designed to support additional loads over 150kg. i.e. installation of bearers, braces etc. until the footing hole has been correctly filled with concrete. SubBase 125 and SubBase 100 fitted with temporary braces can have further subfloor components added, i.e. permanent braces and bearers (not walls) with care 4 hours after concrete has been added to the footing.
- Activity that places additional side loads (i.e. leaning ladders against pile/post, hammer nailing, boring holes, etc.) that are likely to move the pile/post are not to be undertaken until 4 hours has lapsed after footing hole has been filled with concrete.
- SubBase devices are to be used by Licensed Building Practitioners or building workers working under their supervision.

Building Code Compliance Information

- NZBC B1/AS1
- NZBC B2/AS1
- NZS 3604:2011; As per clauses 6.4.5.6, 6.4.5.7 and figure 6.2(B) Timber piles - 100mm minimum concrete under piles

Branz Appraisal

SubBase 100 and 125 have been appraised by BRANZ.



Accessories

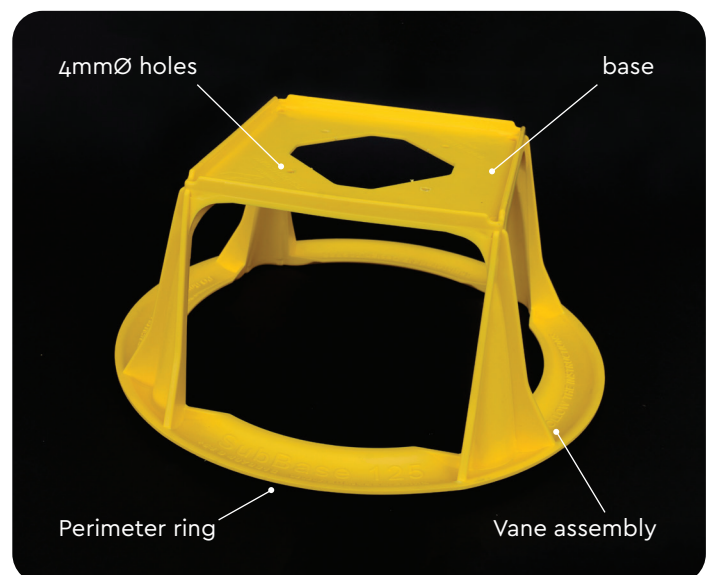
- There are 4 holes in the base of each device for fixing to the pile/post. Recommended nails are 30x2.8mm clouts. These are not supplied with the products.
- A post and pipe level is a great tool to use with these products. Examples are; Fuller 001-1260, Empire T720.

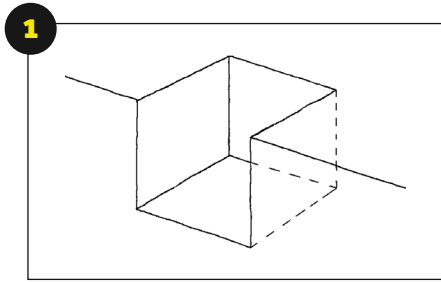
Site Requirements

- The foundation for the building has to be on good ground with an ultimate bearing capacity of 300kPa.
- The bottom of the footing hole has to be cleared of loose material.
- The bottom of the footing hole must be near level (within 5mm).

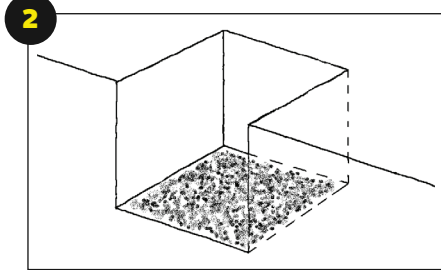
Health and Safety

- Use correct lifting technique when picking up heavy objects; bend the knees and keep the back straight.
- Determine a safe route before picking up heavy objects. Avoid walking into and over obstacles, especially dug footing holes.

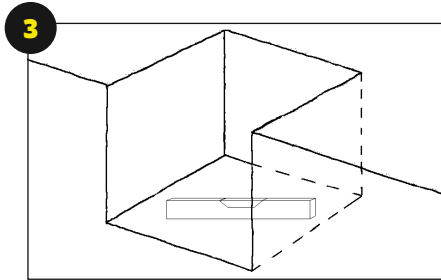




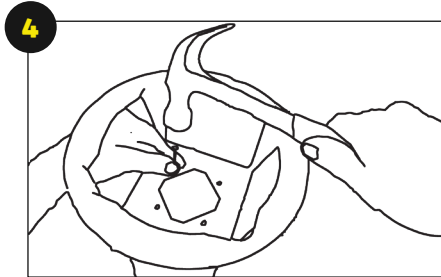
1 Dig the footing hole to the required depth.



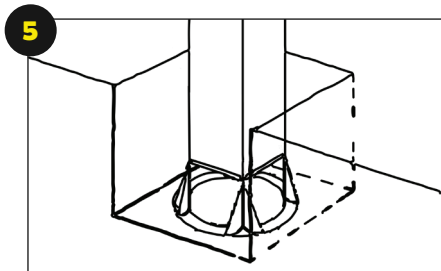
2 Clean out all loose material.



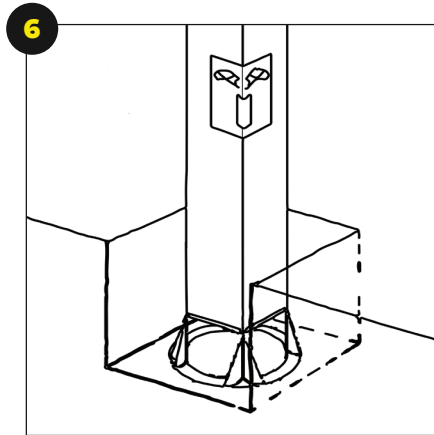
3 Ensure the bottom of the footing hole is level.



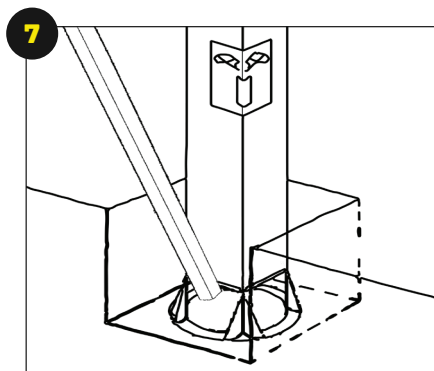
4 Attach the SubBase device to the bottom of the pile/post by nailing clouts or using screws through each hole in the base.



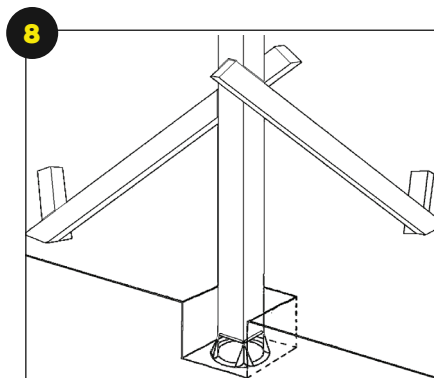
5 Place the pile/post with the SubBase attached into the footing hole. Do not drop.



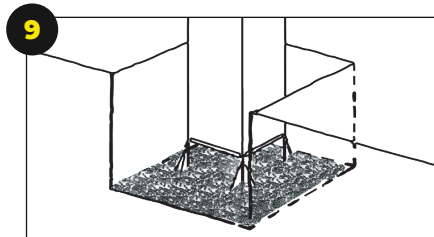
6 Using a level move the pile/post into its correct position.



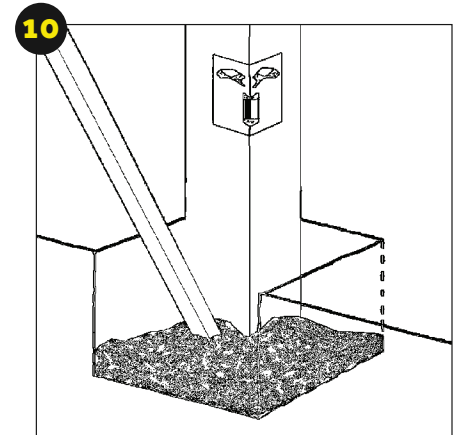
7 To move the pile/post place a lever against the top edge of the device to move into position.



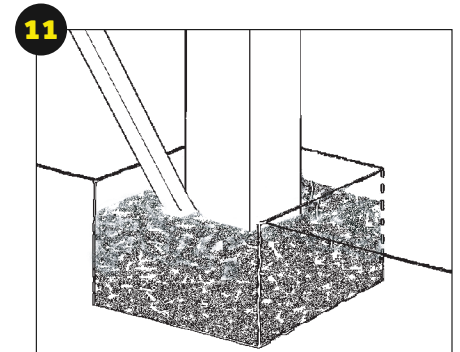
8 Plumb up pile/post and connect temporary braces to two sides of the pile/post, and attach to pegs driven into the ground if necessary.



9 Carefully place correctly mixed concrete into the footing hole, taking care not to let the pile/post assembly move.



10 Pause adding concrete when the SubBase device is covered and rod the concrete under the pile/post with a smallish batten or rod (50mmØ). Resume filling concrete.



11 Check that location of pile/post is correct, adjust if necessary, and add concrete until footing hole is filled to the correct level.

12 Provided there are temporary braces fixed to pegs in the ground, after four hours has elapsed, other subfloor components can be added.

CHECKLIST

- Check footing hole dimensions, i.e. size and depth are correct.
- Check bottom of footing hole is near level.
- Check pile/post is in correct position and plumbed up vertical.
- Check temporary braces are secure.
- Check that concrete has been correctly rodded under the pile/post.
- Check that the footing has been completely filled with concrete.